

## *Black Box Transceiver When Space is at a Premium*



Installation example



**Space Saving,  
Fully Functional VHF/DSC**



**Controlled by COMMANDMIC™ HM-195B/SW**  
HM-195B/SW may be sold separately, depending on version.



**New Icom Marine Family User Interface**  
Shares same user interface operation with IC-M424.



**Active Noise Cancelling Technology**  
Reduces background noise to up to 90%.



**10W Loud Audio, Public Address & Fog Horn**  
With external speaker.



**Built-in Class D DSC**  
Meets latest ITU-R 493-14 specifications.



**Common NMEA Interface**  
For GPS/NAV connection.



**MA-510TR/MA-500TR  
AIS Transponder Compatible**



**AquaQuake™ Draining Function**  
HM-195B/SW



**IPX7 Submersible**  
1m depth water for 30 minutes.

## Space-Saving, Two-Piece Configuration

The IC-M400BB consists of a two-piece, black box configuration. All function control including DSC operation, can be made from the COMMANDMIC™, HM-195B/SW, and the RF unit, IC-M400BB, can be installed in an out-of-sight place.

## New Intuitive User Interface

The new menu system is shared with Icom's latest models. The bottom line of the dot-matrix display shows the software key functions which can be toggled with the left and right buttons.

## Active Noise Cancelling

The built-in bidirectional active noise cancelling reduces background noise to up to 90% and improves both your transmitted voice and incoming call. Hear and be heard more clearly.

## 10 W Loud Audio, Public Address and Foghorn

The IC-M400BB has a built-in 10 W amplifier that increases the audio output from an additional external speaker. The public address function allows you to make an announcement from the microphone like a loud speaker, and the foghorn can also be emitted from the external speaker.

## Built-in Class D DSC

The built-in DSC watch function monitors Ch. 70 (DSC channel) activity, even while you are receiving another channel. DSC functions include: distress, individual, group, all ships, urgency, safety, position request/report, polling request and DSC test calls.

## Common NMEA Interface

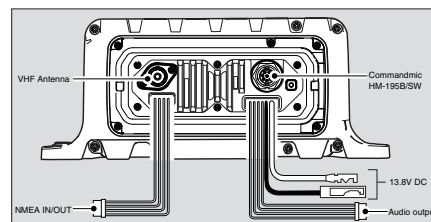
When connected to an external GPS receiver, current position and time are shown on the COMMANDMIC display.

## AIS Target Call with MA-510TR/MA-500TR

When connected to the optional MA-510TR/MA-500TR Class B AIS transponder, the AIS target call function allows you to set up an individual DSC call from the MA-510TR/MA-500TR.

## And More

- MarineCommander™ compatible
- AquaQuake™ water draining function (HM-195B/SW)
- IPX7 submersible protection both for IC-M400BB and HM-195B/SW (1m depth for 30 minutes)
- Dual/tri-watch function for monitoring Ch. 16 and/or call channel
- Priority and normal scan
- Supports 4-digit channels



## OPTIONS

**COMMANDMIC™**

HM-195B (Black)    HM-195SW (Super white)

**Supplied accessories**

- 6.1m (20ft) of cable
- Microphone hanger
- Mounting base for connector

**EXTENSION CABLE for COMMANDMIC, HM-195B/SW**

**OPC-1541**  
6.1m (20ft) extension cable.  
Up to two cables available.

**CLASS B AIS TRANSPONDERS**

MA-510TR  
MA-500TR

## SPECIFICATIONS

GENERAL		
Frequency range	Tx Rx Ch. 70	156.025–157.425 MHz 156.050–163.275 MHz 156.525 MHz
Usable channels		USA, INT, CAN and WX channels
Type of emission		16K0G3E (FM), 16K0G2B (DSC)
Power supply requirement		13.8 V DC nominal (11.7–15.9 V DC)
Current drain		
Tx 25 W output		5.5 A Max.
Rx Max. audio		3.5 A Max.
Operating temperature range		–20°C to +60°C; –4°F to +140°F
Antenna connector		50 Ω (SO-239)
Dimensions (Projections not included)		(W×H×D)
IC-M400BB		216×79×125 mm; 8.5×3.11×4.92 in
HM-195B/SW		67.5×144.5×37 mm; 2.66×5.69×1.46 in
Weight (approx.)		
IC-M400BB		830 g; 1.83 lb
HM-195B/SW		400 g; 14.1 oz
NMEA in/out formats		RMC, GGA, GNS, GLL, DSC, DSE
TRANSMITTER		
Output power		25 W, 1 W (High, low)
Max. frequency deviation		±5.0 kHz
Frequency tolerance		±10 ppm
Spurious emissions		Less than –70 dBc (at 25 W)

RECEIVER		
Sensitivity	Main Ch. 70	0.22 μV typical (at 12 dB SINAD) –5 dBμ emf typ. (1% BER)
Squelch sensitivity	Main	Less than 0.32 μV
Adjacent channel selectivity	Main Ch. 70	More than 70 dB More than 73 dBμ emf (1% BER)
Spurious response	Main Ch. 70	More than 70 dB More than 73 dBμ emf (1% BER)
Intermodulation	Main Ch. 70	More than 70 dB More than 68 dBμ emf (1% BER)
Hum and noise		More than 40 dB
Audio output power (at 10% distortion, 4 Ω load)		More than 2 W (HM-195B/SW) More than 10 W (RX Speaker)

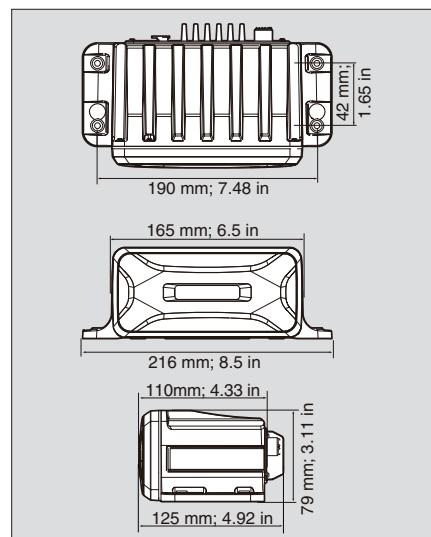
Measurements made in accordance with TIA/EIA 603 and IEC 62238 (Ch. 70 receiver specifications).

### Applicable IP Rating

Ingress Protection Standard (IC-M400BB and HM-195B/SW)	
Water	IPX7 (Waterproof protection)

### Supplied accessories:

- COMMANDMIC, HM-195B/SW\*    • DC power cable
- \* COMMANDMIC, HM-195B/SW may be sold separately, depending on version.



Icom, Icom Inc. and the Icom logo are registered trademarks of Icom Incorporated (Japan) in the United States, the United Kingdom, Germany, France, Spain, Russia, Japan and/or other countries. COMMANDMIC, MarineCommander and AQUAQUAKE are trademarks of Icom Inc. (Japan). All other trademarks are the properties of their respective holders.

**Icom Inc.**

1-1-32, Kamiminami, Hirano-Ku, Osaka 547-0003, Japan Phone: +81 (06) 6793 5302 Fax: +81 (06) 6793 0013

[www.icomjapan.com](http://www.icomjapan.com)

**Count on us!**

**Icom America Inc.**  
[www.icomamerica.com](http://www.icomamerica.com)

**Icom (Europe) GmbH**  
[www.icomeurope.com](http://www.icomeurope.com)

**Icom (Australia) Pty. Ltd.**  
[www.icom.net.au](http://www.icom.net.au)

Your local distributor/dealer:

**Icom Canada**  
[www.icomcanada.com](http://www.icomcanada.com)

**Icom Spain S.L.**  
[www.icomspain.com](http://www.icomspain.com)

**Icom Brazil**  
E-mail: [sales@icombrasil.com](mailto:sales@icombrasil.com)

**Icom (UK) Ltd.**  
[www.icomuk.co.uk](http://www.icomuk.co.uk)

**Icom France s.a.s.**  
[www.icom-france.com](http://www.icom-france.com)